

GENERAL DETAILS

STANDARD 4X4 BLOC DOC™



WWW.BLOCDOC.COM

Approval Required
 Approved
 Revise
 Signature _____
 Date _____



DOCK BOXES UNLIMITED
 5605 N. MACARTHUR BLVD.
 SUITE #200
 IRVING, TX 75038
GENERAL DETAILS
BLOC DOC™

GENERAL DETAILS

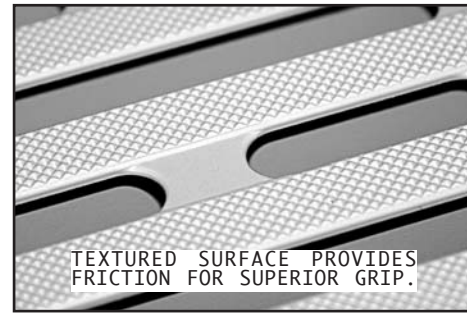
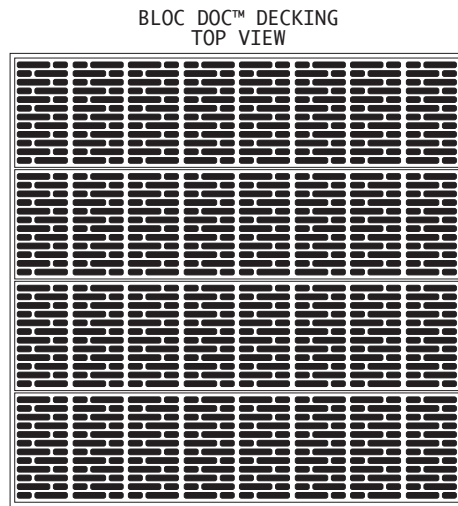
DESIGN: JAC DATE: 06-18-2008
 DRAWN: JAC PERMIT NO: _____
 CHECKED: SUE PROJECT: _____

BLOC DOC™ GENERAL DETAIL

SHEET (MAGx)

S1

PAGE 1 of 1

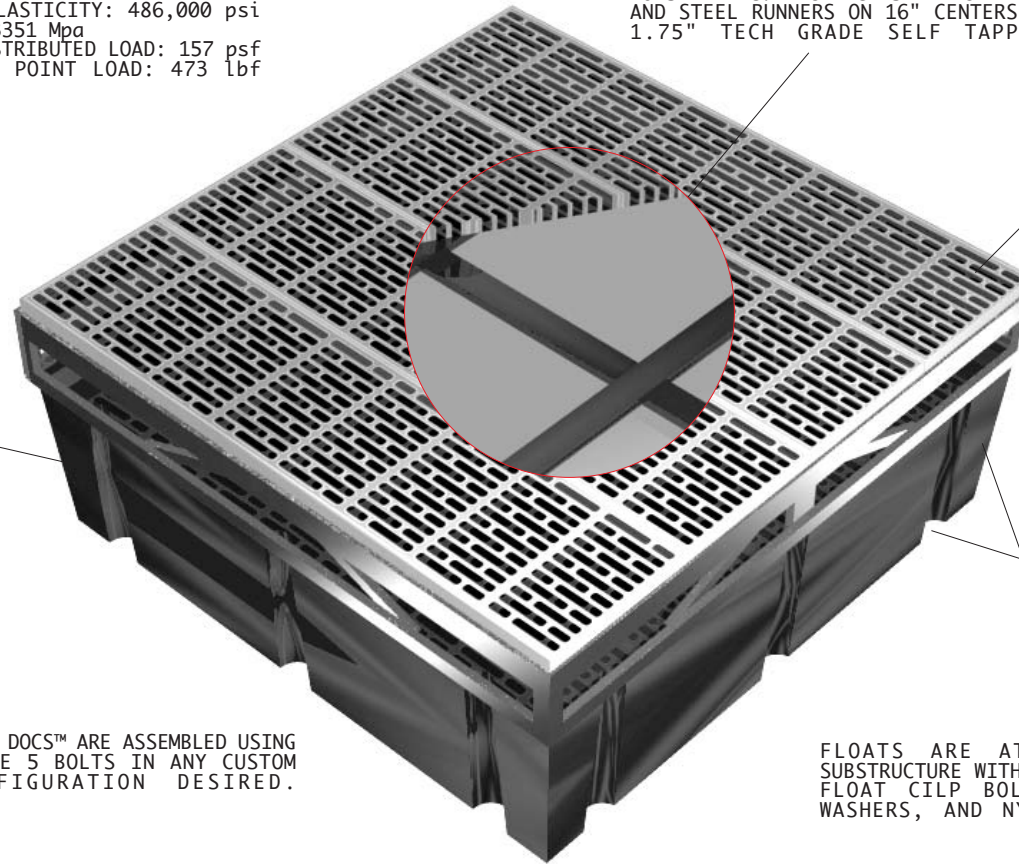


BLOC DOC™ DECKING IS MANUFACTURED USING FIBERGLASS REINFORCED PREMIUM VIRGIN GRADE POLYPROPYLENE.

DECKING SPECS INCLUDE:

PER 12"x48"x1.2" SECTION:
 COLOR: GRAY
 LOAD RATING: 135 psf
 SUPPORT SPAN: 16"
 LOAD AT L/180: 289 lbf
 LOAD AT RUPTURE: 2141 lbf
 ASTM D7032: 1.29 kN
 MODULUS OF RUPTURE: 7920 psi
 ASTM D6109: 9.5 kN
 MODULUS OF ELASTICITY: 486,000 psi
 ASTM D6109: 3351 Mpa
 UNIFORMLY DISTRIBUTED LOAD: 157 psf
 CONCENTRATED POINT LOAD: 473 lbf

4'x4' ECO-FRIENDLY DECKING ALLOWS WATER TO FLOW THROUGH WITHOUT ACCUMULATION OF LIQUIDS LEADING TO SLIPPING. DECKING IS ATTACHED TO STRUCTURE AND STEEL RUNNERS ON 16" CENTERS USING 12-24 1.75" TECH GRADE SELF TAPPING SCREW.

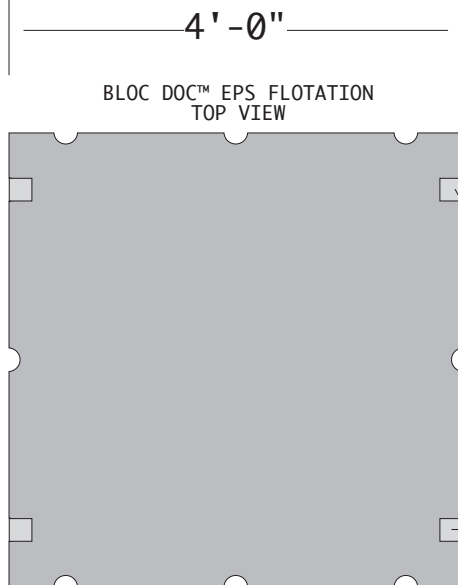


UNIQUE DESIGN COOLS SURFACE AND MAINTAINS EVEN TEMPERATURES EVEN DURING HOT WEATHER.

FLOTATION UTILIZES SQUARE REINFORCED CORNERS AND MOLDED MOUNTING SLOTS.

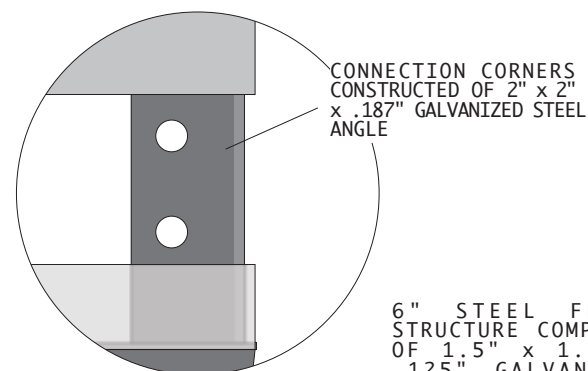
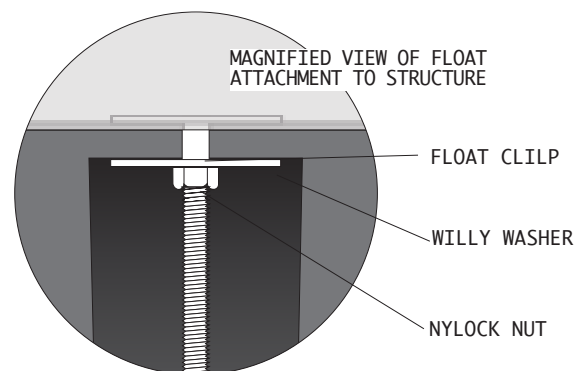
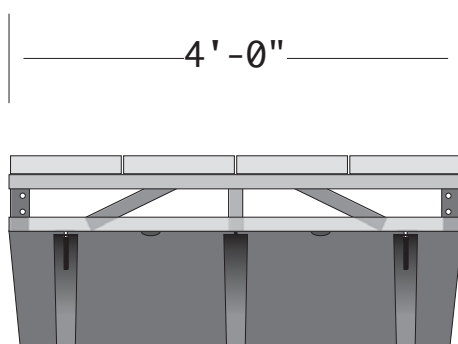
BLOC DOCS™ ARE ASSEMBLED USING GRADE 5 BOLTS IN ANY CUSTOM CONFIGURATION DESIRED.

FLOATS ARE ATTACHED TO SUBSTRUCTURE WITH 3/8" PLATED FLOAT CILP BOLTS, FENDER WASHERS, AND NYLOCK NUTS.



4'x4'x20" VIRGIN EPS 1.0-1.5 LB. DENSITY FOAM FILLED ROTO-MOLDED POLYETHYLENE FLOATS WITH UV INHIBITORS AND .150" WALL THICKNESS. FLOTATION MEETS U.S ARMY CORPS OF ENGINEERS REGULATION #36 CFR PART 27, AS WELL AS "HUNT" WATER ABSORPTION TEST. FLOATS ARE RATED AT A BUOYANCY OF 1344#.

FLOATS ARE ATTACHED TO SUBSTRUCTURE WITH (4) 3/8" PLATED FLOAT CILP BOLTS, (4) FENDERWASHERS, AND (4) NYLOCK NUTS.



6" STEEL FRAME STRUCTURE COMPOSED OF 1.5" x 1.5" x .125" GALVANIZED ANGLE

